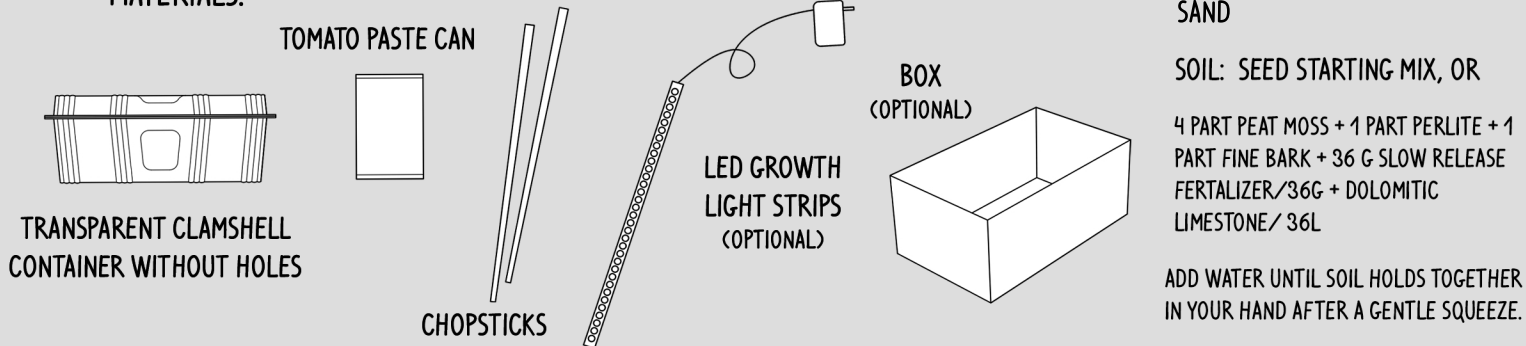


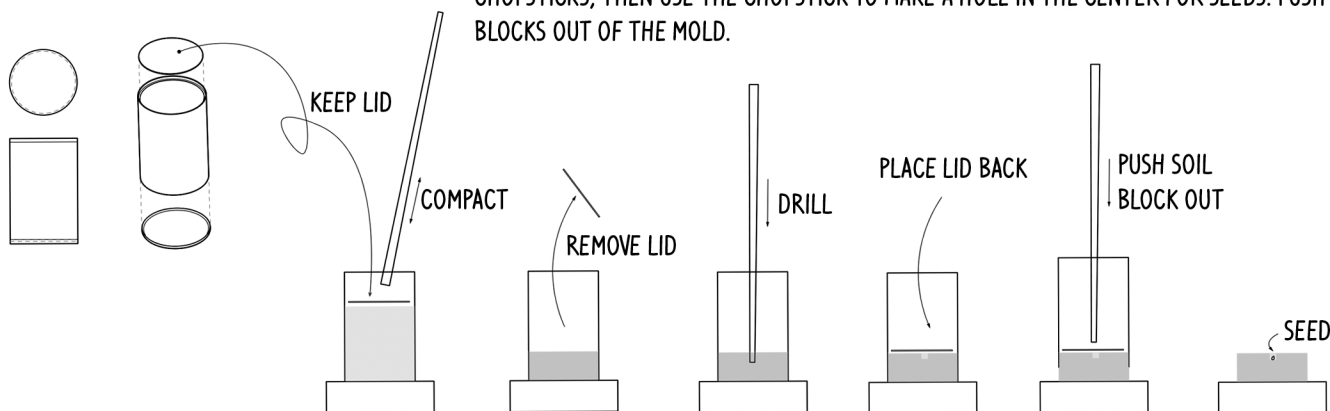
HOW TO MAKE A SEED-STARTING CASE OUT OF RE-USED MATERIALS

MATERIALS:



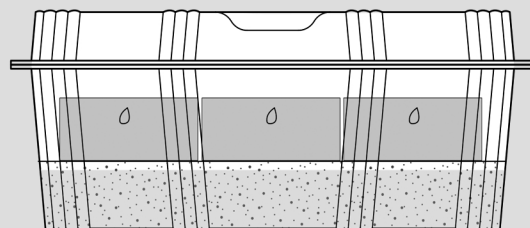
STEP 1: MAKE SOIL BLOCKS

REMOVE BOTH ENDS OF THE TOMATO PASTE CAN WITH A CAN OPENER AND SAVE THE TOP. PLACE THE BOTTOMLESS CAN ON A HARD SURFACE AND FILL IT WITH SOIL. COMPACT THE SOIL WITH THE LID AND CHOPSTICKS, THEN USE THE CHOPSTICK TO MAKE A HOLE IN THE CENTER FOR SEEDS. PUSH THE SOIL BLOCKS OUT OF THE MOLD.



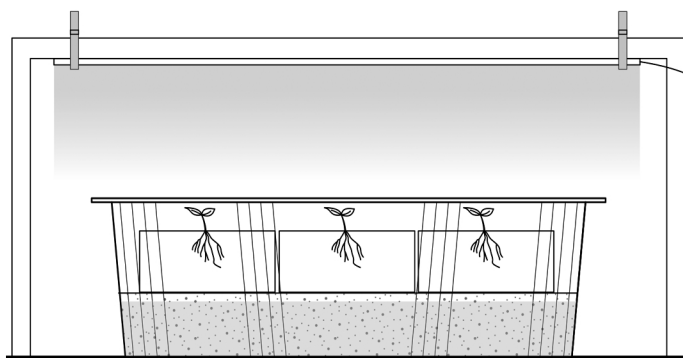
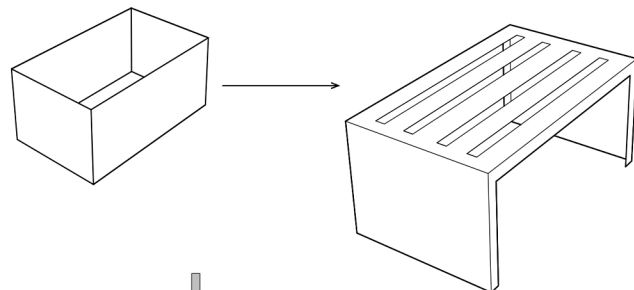
STEP 2: PREPARE CLAMSHELL CONTAINER

FILL THE CONTAINER HALF-WAY WITH SAND, ENSURE IT IS LEVEL AND FILL WITH WATER UNTIL ALMOST FLUSH WITH SAND. PLACE THE SOIL BLOCKS ON THE SAND BED NEXT TO EACH OTHER. PLANT SEEDS AND CLOSE THE LID.



STEP 3: PREPARE GROW LIGHT AND PLANT SEEDS

FIND A BOX OF APPROPRIATE SIZE AND CUT AS SHOWN. SECURE LED GROWING LIGHT STRIPS ONTO THE RIBS OF THE BOX WITH CLIP TIES. OPEN THE LID OF THE CONTAINER ONCE SEEDS GERMINATE AND PLACE IT UNDER THE LIGHTING UNIT. WATER FROM BOTTOM AS NECESSARY TO KEEP SOIL MOIST.



DESIGN AND DRAWINGS BY
JINGZHOU SUN